



WHEEL LOADER | 407/409

Max. engine power: 64 hp (48 kW) / 74 hp (54.5 kW) Max. operating weight: 11,486 lb (5,210 kg) / 13,296 lb (6,031 kg)



PRODUCTIVE PERFORMANCE.

Equipped with hydrostatic drive, JCB 407 and 409 wheel loaders are easy to operate and very fuel efficient.

THE JCB 407 AND 409 ARE HIGHLY PRODUCTIVE WHEEL LOADERS WITH OPTIMAL POWER-TO-WEIGHT RATIOS, MAKING THEM PERFECT TOOL CARRIERS AND MULTI-PURPOSE FARM UTILITY MACHINES.



JCB Diesel by Kohler.

1 JCB Diesel by Kohler engines in the JCB 407 and 409 wheel loaders are rated to 64 hp (48 kW) and 74 hp (55 kW) respectively, and represent the ultimate in compact wheel loader efficiency. With a sealed-for-life selective catalytic reductions (SCR) system, and no replaceable diesel particulate filter (DPF), no engine power or time is wasted on regeneration.

2 JCB 407 and 409 wheel loaders produce peak power and torque at low revs, and are equipped with a variable speed, crank-driven cooling fans, for maximum fuel efficiency.

3 JCB 407 and 409 wheel loaders are available with a high speed option, which delivers top speeds of 22 mph (35 km/h) in the 407 and 25 mph (40 km/h) in the 409.



1



2



3

An available high-flow hydraulics circuit provides enhanced versatility and compatibility with a wide range of attachments.

Moving with the times.

4 The articulated steering system features an easy-to-use side-shift functionality for easier attachment changes and material handling.

5 Several axle options are available. Open differentials are best suited to hard ground applications; limited-slip differentials excel on soft, muddy terrain.

A switchable front axle differential lock provides improved traction on muddy terrain yet creates no shear forces, so it will not damage the ground when not in use. The front axle lock can also be engaged on the move and under load.

6 Power is efficiently transferred to the wheels via an innovative chassis that is optimized for even weight distribution.

Versatility by the bucketload.

7 With an available towing option, including a hitch with rear electrics and hydraulics, JCB 407 and 409 wheel loaders are capable of towing up to 7,700 lb (3.5 t).

8 An inching-pedal allows precise, efficient, stepless load handling by splitting power between the transmission and the hydraulics.



4



6



5



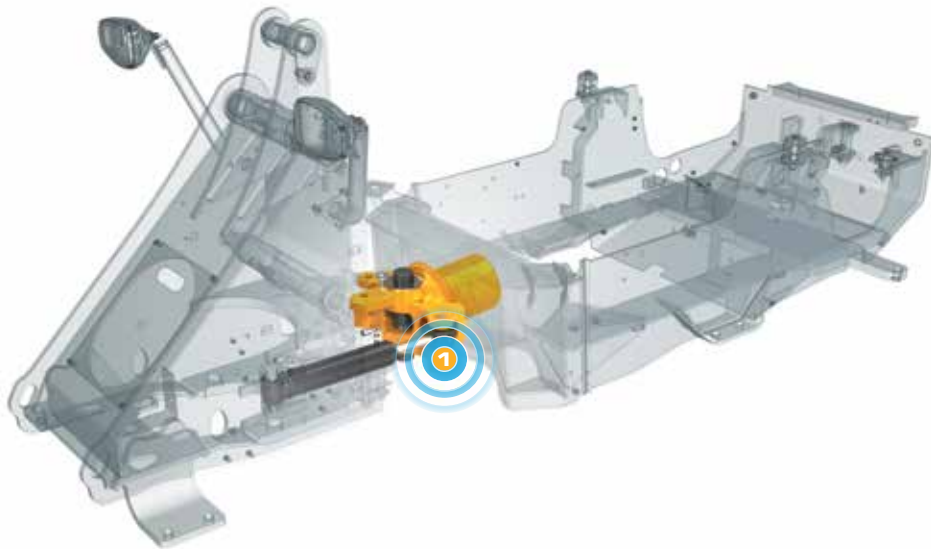
7



8

QUALITY, RELIABILITY AND DURABILITY.

JCB 407 AND 409 WHEEL LOADERS ARE BUILT TOUGH, FROM HIGH-QUALITY COMPONENTS, FOR RELIABILITY YOU CAN COUNT ON FROM SUN UP TO SUN DOWN.



JCB 407 and 409 wheel loaders feature high-quality engine and driveline components from suppliers including DANA and Bosch.



Built to last.

- 1 Materials handling around the farm can be hard on equipment. JCB wheel loaders are built tough to handle even the most arduous conditions.
- 2 The chassis in a JCB compact wheel loader is optimized for even weight distribution and absorption of external forces.



Quality design.

- 3** The rear lights in the JCB 407 and 409 wheel loader models are recessed within the solid counterweight casting, for maximum protection.
- 4** Hydraulic hoses are neatly routed, properly clamped, and positioned well away from potential pinch points.
- 5** JCB uses state-of-the-art manufacturing processes—such as robot machining, precision paint technology and innovative assembly techniques—to achieve industry-leading product quality.
- 6** Precision machining provides high tolerances and accurate location of pins and bushes, while finite element analysis and rig testing ensure superior structural strength and durability.
- 7** Cold cell testing guarantees starting performance at temperatures as low as -5 degrees F.



COMFORT AND EASE OF USE.

Reduced in-cab noise for distraction-free operation.

JCB COMPACT WHEEL LOADERS ARE EASY TO ACCESS AND INTUITIVE TO OPERATE, TO ENSURE A MORE COMFORTABLE, CONFIDENT AND PRODUCTIVE OPERATOR.

A comfortable operator.

- 1 JCB 407 and 409 wheel loaders feature comfortable and spacious cabs with a central operating position for enhanced, all-around visibility.
- 2 The tilting, telescopic steering column is simple to adjust for an ergonomic driving position.
- 3 All instruments are within easy reach of the seat, to provide the right information and the right functionality to the operator while working.
- 4 With a fully opening right-hand window, operators can enjoy increased ventilation while being protected from dust.



In complete control.

- 5 A functional central dash combines analogue dials and a color LCD screen to display information such as machine health, service requirements, operating data, and more.
- 6 JCB compact wheel loaders are equipped with an ergonomically-designed joystick control system for comfortable and intuitive operation.
- 7 A choice between a hydraulic locking Zettlemeyer or skid steer quick hitch allows the machine to accept a wide range of attachments for maximum versatility.



5



6



7

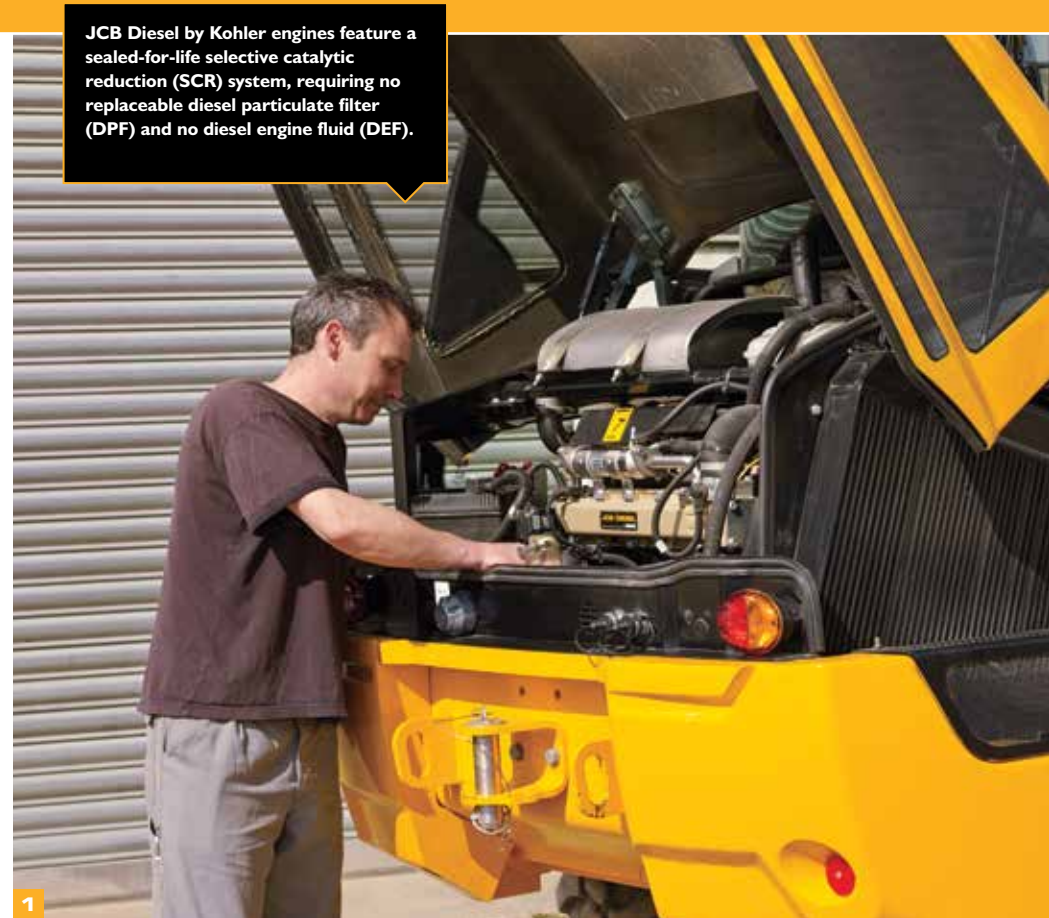
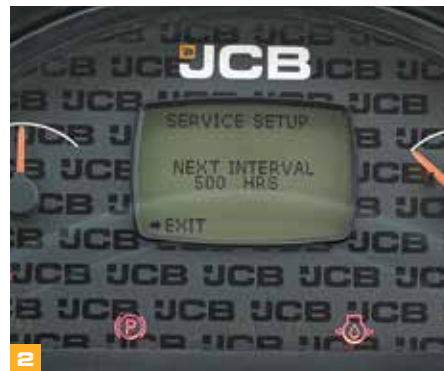
SERVICEABILITY.

JCB 407 AND 409 WHEEL LOADERS FEATURE INNOVATIVE DESIGN AND QUALITY COMPONENTS TO ALLOW LONG SERVICE INTERVALS FOR IMPROVED UPTIME AND PRODUCTIVITY.

Access all areas.

- 1 A large, single-piece engine cover provides convenient access to daily check points, as well as the engine bay and cooling pack.
- 2 Operators and fleet managers can access vital information—such as running times, fuel consumption and error alerts—via the in-cab display or JCB's LiveLink telematics system.
- 3 A cyclonic pre-filter maximizes air filtration and extends filter element service intervals significantly.

- 4 Parts for 407 and 409 wheel loaders, including JCB Diesel by Kohler engine parts, are readily available from your local JCB dealer.



JCB Diesel by Kohler engines feature a sealed-for-life selective catalytic reduction (SCR) system, requiring no replaceable diesel particulate filter (DPF) and no diesel engine fluid (DEF).

SAFETY AND SECURITY.

JCB WHEEL LOADERS ARE DESIGNED FOR MAXIMUM SAFETY FOR OPERATORS AND OTHERS AT THE WORK SITE.

Safety first.

1 In the JCB 407 and 409 wheel loaders, visibility is optimized by the placement of the compact JCB Diesel by Kohler engine and the sloping rear engine cover, providing an unimpeded view behind the machine.

2 An electronic, two-stage, quick hitch isolation system prevents uncontrolled release of attachments.

3 The access step is complemented by well-positioned handles to provide operators with three points of contact when entering or exiting the cab.



LIVELINK, WORK SMARTER.

LiveLink tracks the efficiency of your machines to maximize ROI.

- Manage your fleet from anywhere
- Reduce operating costs
- Improve productivity
- Monitor fuel and consumption*
- Receive reports by day / week / month

**For machines with electronic engine management system only*

LiveLink sends service alerts and diagnostic warnings for effective maintenance planning.

- Machine health alerts
- Machine service alerts
- Accurate hours recorded
- Detailed machine history



LiveLink reports the exact location, movement and activity of your machine for improved security.

- Pinpoint machine location
- 24/7 update on your phone/tablet
- Real-time curfew alerts
- Real-time geofence alerts
- Back-up battery
- Tow-away alert



Superior Build Quality

Machine Servicing Agreement



Enhanced Dealer Support

JCB LiveLink

Note: Please consult your local dealer for LiveLink availability.

VALUE ADDED.

WHATEVER YOU NEED AND WHEREVER YOU ARE, JCB'S DEPENDABLE NORTH AMERICAN DEALER NETWORK IS HERE TO MAKE SURE YOUR MACHINERY PERFORMS TO ITS FULL POTENTIAL.



1 JCB Technical Support Service provides instant access to factory expertise, day or night.

JCB's Finance and Insurance teams are always on hand to provide fast, flexible, competitive quotes.

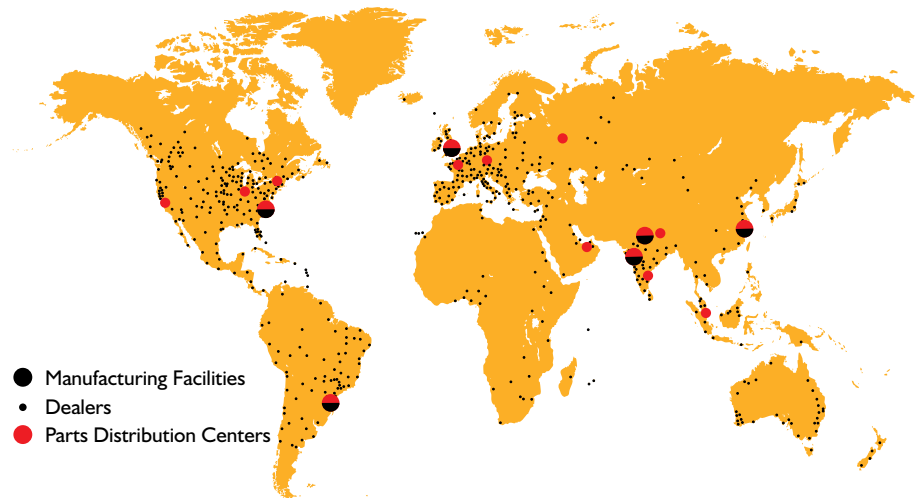
2 The global network of JCB Parts Centers is a model of efficiency. With 16 regional bases, we can deliver around 95 percent of all parts anywhere in the world within 24 hours. Our genuine JCB parts are designed to work in perfect harmony with your machine for optimum performance and productivity.



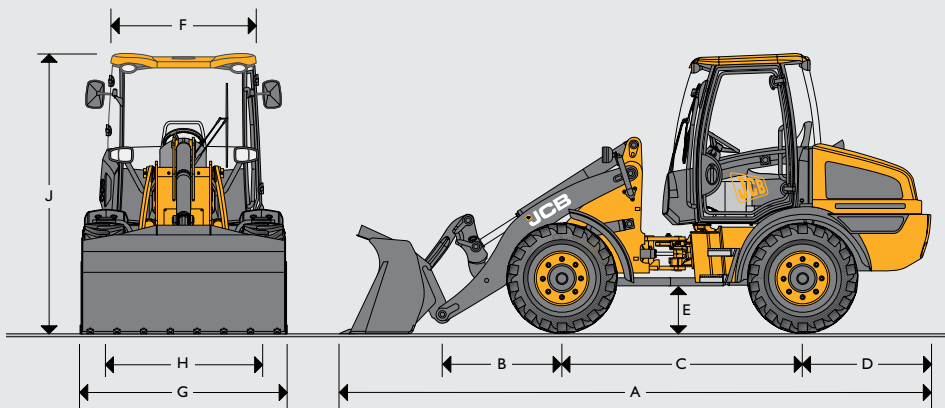
3 JCB Yellow Shield offers comprehensive extended warranties, as well as service-only or repair and maintenance contracts. JCB maintenance teams offer competitive labor rates and no-obligation quotes.



Note: JCB LIVELINK and JCB ASSETCARE may not be available in your region, so please check with your local dealer.



STATIC DIMENSIONS



			407	409
A	Overall length	ft-in (mm)	16-10 (5,133)	17-11 (5,465)
B	Axle to pivot pin	ft-in (mm)	3-0 (906)	3-8 (1,130)
C	Wheel base	ft-in (mm)	6-11 (2,100)	7-3 (2,205)
D	Axle to counterweight face	ft-in (mm)	4-2 (1,268)	4-3 (1,295)
E	Ground clearance	ft-in (mm)	1-0 (313)	1-7 (472)
F	Width over cab	ft-in (mm)	4-10 (1,468)	4-10 (1,468)
G	Width over tires	ft-in (mm)	5-8 (1,727)	6-3 (1,898)
H	Wheel track	ft-in (mm)	4-7 (1,390)	4-11 (1,490)
J	Height over cab	ft-in (mm)	8-2 (2,500)	8-8 (2,643)
	Front axle weight	lb (kg)	3,075 (1,395)	4,079 (1,850)
	Rear axle weight	lb (kg)	8,087 (3,668)	8,986 (4,076)
	Total weight	lb (kg)	11,162 (5,063)	13,065 (5,926)
	Inside turn radius	ft-in (mm)	6-7 (2,010)	6-10 (2,079)
	Max. turn radius over bucket	ft-in (mm)	13-8 (4,160)	14-6 (4,432)
	Articulation angle	deg	±40°	±40°
	Max. radius over tire	ft-in (mm)	12-6 (3,800)	13-1 (3,979)
	Max. width across tires	ft-in (mm)	6-1 (1,864)	6-3 (1,900)

407 data based on machine equipped with pin mounted 1 m³ (0.8 yd³) bucket with toe plate and 12.5-18 tires.

409 data based on machine equipped with pin mounted 1.3 yd³ (1.0 m³) bucket with toe plate and 16.0/70-20 tires.

ENGINE

		407	409
Type		4 stroke, Electronic Common Rail	4 stroke, Electronic Common Rail
Model		JCB Diesel by Kohler - KDI 2504 TCR	JCB Diesel by Kohler - KDI 2504 TCR
Capacity	liters	2,482	2,482
Aspiration		Turbocharged	Turbocharged
Cylinders		4	4
Max. gross power	hp (kW)	64 (48) @ 2,200rpm	74 (55.4) @ 2,200rpm
Max. torque	lb-ft (Nm)	221 (300)	221 (300)
Emissions		Stage IIIB & T4F	Stage IIIB & T4F

TRANSMISSION

		407	409
Type		Hydrostatic	Hydrostatic
Model		Rexroth A6VM – 2 speed	Rexroth A6VM – 2 speed
Model (high speed option)		Rexroth A6VM – 3 speed	Rexroth A6VM – 3 speed
Low range	mph (km/h)	3.7 (6)	3.7 (6)
High range	mph (km/h)	11.1 (18)	12.4 (20)
Max. speed (high speed option)	mph (km/h)	21.7 (35)	24.8 (40)

AXLES

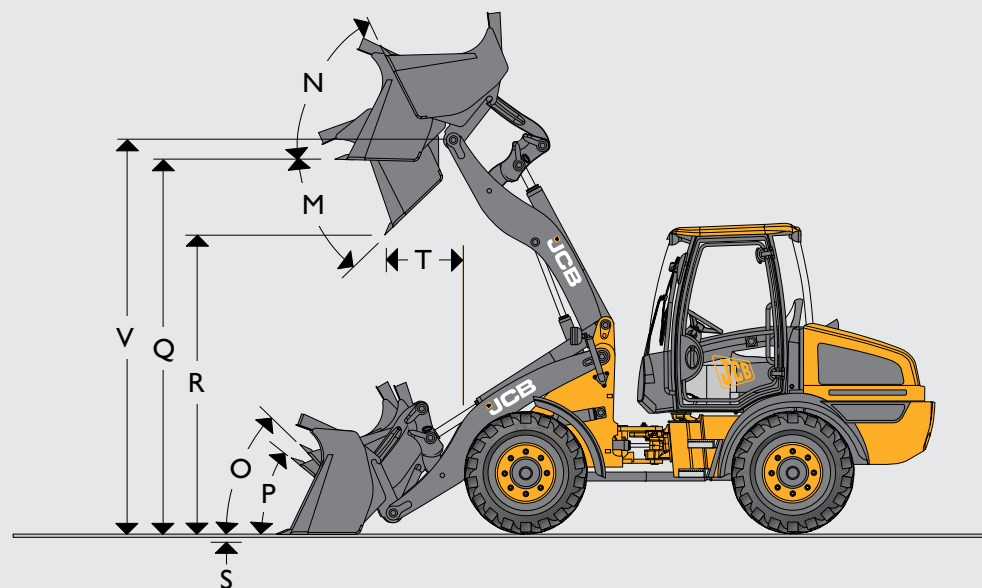
		407	409
Type		Straight beam	Straight beam
Make and model		Dana Spicer 111	Dana Spicer 111
Chassis angle oscillation	degrees	±10	±10

STEERING

Hydraulic power steering system emergency steering.

LOADER DIMENSIONS

Model (assumes machine is fitted with 12.5-18 tires (407 only) and 16.0/70-20 tires (409 only) Zettlemeyer quick hitch		407			409		
Bucket capacity (SAE heaped)	yd ³ (m ³)	1.05 (0.8)	1.57 (1.2)	0.98 (0.75)	1.31 (1)	1.83 (1.4)	1.18 (0.9)
Bucket type		GP	LM	4-in-1	GP	LM	4-in-1
Bucket width	ft-in (mm)	6-3 (1,900)	6-3 (1,900)	6-3 (1,900)	6-5 (1,950)	6-11 (2,100)	6-5 (1,950)
Bucket weight	lb (kg)	633 (287)	778 (353)	959 (435)	732 (332)	880 (399)	961 (436)
Max. material density	lb/yd ³ (kg/m ³)	3,455 (2,050)	2,225 (1,320)	3,540 (2,100)	3,299 (1,957)	2,269 (1,346)	3,523 (2,090)
Tipping load straight (with tire deflection)	lb (kg)	9,531 (4,323)	9,147 (4,149)	9,098 (4,127)	10,104 (4,583)	9,733 (4,415)	8,444 (3,830)
Tipping load full turn (with tire deflection)	lb (kg)	7,333 (3,326)	7,039 (3,193)	6,997 (3,174)	8,042 (3,648)	7,745 (3,513)	7,732 (3,507)
Payload (with tire deflection)	lb (kg)	3,666 (1,663)	3,519 (1,596)	3,499 (1,587)	4,021 (1,824)	3,871 (1,756)	3,867 (1,754)
Max. breakout force	lbf (kN)	9,419 (41.9)	7,239 (32.2)	9,419 (41.9)	12,095 (53.8)	9,689 (43.1)	11,420 (50.8)
Dump angle maximum	degrees	45	45	45	45	45	45
M Roll back angle full height	degrees	56	56	56	63.6	63.6	63.6
N Roll back at carry	degrees	54	54	54	53.1	53.1	53.1
O Roll back at ground level	degrees	42	42	42	41	41	41
P Load over height	ft-in (mm)	9-10 (2,991)	9-10 (2,991)	9-10 (2,991)	10-6 (3,189)	10-6 (3,189)	10-6 (3,189)
Q Dump height (45 deg dump)	ft-in (mm)	8-2 (2,489)	7-8 (2,348)	8-2 (2,489)	8-7 (2,619)	8-2 (2,500)	8-7 (2,609)
R Dig depth	ft-in (mm)	0-4 (105)	0-4 (105)	0-4 (106)	0-2 (60)	0-2 (60)	0-2 (60)
S Reach at dump height	ft-in (mm)	2-6 (764)	3-0 (905)	2-6 (764)	1-9 (523)	2-2 (652)	1-9 (523)
T Reach maximum (45 deg dump) – horizontal arm	ft-in (mm)	4-11 (1,494)	5-4 (1,635)	4-11 (1,494)	1-9 (523)	2-2 (652)	1-9 (523)
Operating weight (includes 176 lb (80 kg) operator and full fuel tank)	lb (kg)	11,162 (5,063)	11,305 (5,128)	11,486 (5,210)	13,067 (5,927)	13,214 (5,994)	13,296 (6,031)
V Pin height	ft-in (mm)	10-3 (3,120)	10-3 (3,120)	10-3 (3,120)	10-11 (3,340)	10-11 (3,340)	10-11 (3,340)



TIRE SIZE – 407

Tire Size	Manufacturer	Type		Op weight lb (kg)	Vertical inch (mm)	Width inch (mm)
365/70R18	Dunlop	SPT9	EM	141 (64)	-0.55 (-14)	2.72 (69)
335/80R18	Michelin	XZSL		181 (82)	0.35 (9)	0.55 (14)
340/80R18	Michelin	XMCL		159 (72)	-0.24 (-6)	0.98 (25)
340/80R18	Nokian	TRI	2	123 (56)	0.04 (1)	0.47 (12)
12.5-18	Camso	SLR4		0 (0)	0 (0)	0 (0)

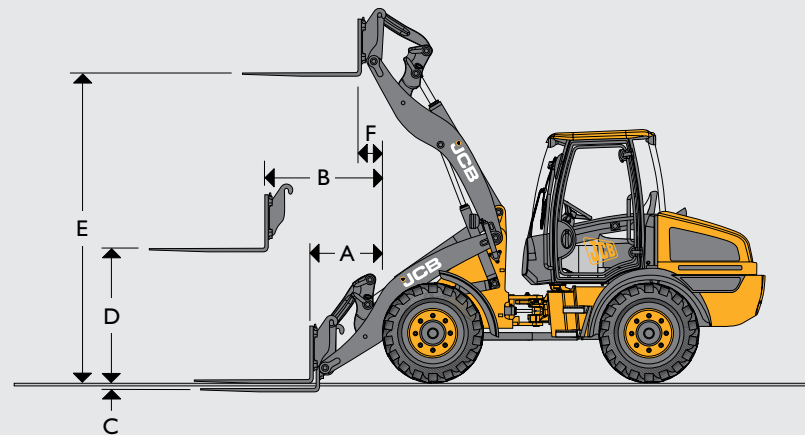
Loader dimensions quoted on 12.5-18 wheels and tires.

TIRE SIZE – 409

Tire Size	Manufacturer	Type		Op weight lb (kg)	Vertical inch (mm)	Width inch (mm)
335/80R20	Dunlop	SPT9	MPT	-161 (-73)	-0.12 (-3)	-3.35 (-85)
380/75R20	Michelin	XMCL		-29 (-13)	-0.16 (-4)	-0.59 (-15)
400/70R20	Michelin	XMCL		0 (0)	-0.16 (-4)	0.16 (4)
420/75R20	Michelin	XMCL		84 (38)	0.91 (23)	0.39 (10)
360/80R20	Nokian	TRI	2	-126 (-57)	0.39 (10)	-2.01 (-51)

Loader dimensions quoted on 16.0/70-20 wheels and tires.

LOADER DIMENSIONS – FORK FRAME WITH FORKS



		Parallel fork			
		407		409	
Attachment		Smal Zet Forks	SSL Forks	Med Zet Forks	SSL Forks
Fork carriage width	ft-in (mm)	4-5 (1,345)	3-5 (1,041)	4-5 (1,345)	3-5 (1,041)
Length of tines	ft-in (mm)	3-11 (1,200)	3-6 (1,066)	3-11 (1,200)	3-6 (1,066)
A Reach at ground level	ft-in (mm)	2-4 (710)	2-11 (894)	2-5 (724)	3-0 (914)
B Reach at arms horizontal	ft-in (mm)	4-1 (1,232)	4-8 (1,416)	3-11 (1,187)	4-6 (1,377)
C Below ground level	ft-in (mm)	0-3 (84)	0-0 (4)	0-1 (17)	-1-9 (-64)
D Arms, horizontal height	ft-in (mm)	4-8 (1,426)	4-11 (1,506)	4-7 (1,396)	4-10 (1,477)
E Arms, maximum height	ft-in (mm)	9-11 (3,012)	10-2 (3,092)	10-7 (3,231)	10-10 (3,312)
F Reach at maximum height	ft-in (mm)	1-8 (506)	2-3 (690)	0-9 (231)	1-5 (421)
Payload*	lb (kg)	4,722 (2,142)	4,129 (1,873)	5,216 (2,366)	4,669 (2,118)
Tipping load straight	lb (kg)	7,328 (3,324)	6,409 (2,907)	8,349 (3,787)	7,474 (3,390)
Tipping load full turn (40°)	lb (kg)	5,732 (2,600)	5,013 (2,274)	6,409 (2,907)	5,736 (2,602)

*At the center of gravity distance 500 mm/19.686 inch. Based on 80% of FTTL as defined in ISO 8313.

ELECTRICAL SYSTEM		
		407/409
System voltage	Volt	12
Alternator output	Amp hour	80
Battery capacity	Amp hour	100
	CCA	950

HYDRAULICS			
Pump type		407	409
Pump type		Single gear pump	Single gear pump
Pump type for (high flow option)		2 x Single gear pump	2 x Single gear pump
Pump max. pressure	psi (bar)	3,335 (230)	3,625 (250)
Auxiliary flow	gpm (lpm)	15.8 (60)	21.9 (83)
Hydraulic cycle times at max. engine rpm			
Arms raise (full bucket)	Seconds	4.9	4.9
Bucket dump (full bucket)	Seconds	3.5	4.1
Arms lower (empty bucket)	Seconds	3.1	3
Total cycle		11.5	12
Pump max. flow	gpm (lpm)	16.9 (64)	23.5 (89)
Hydraulics (High Flow option)	gpm (lpm)	plus 7.9 (30)	plus 7.9 (30)

SERVICE FILL CAPACITIES			
		407	409
Hydraulic system	gal (ltr)	18.5 (70)	18.5 (70)
Fuel tank	gal (ltr)	21.1 (80)	21.1 (80)
Engine oil sump	gal (ltr)	3.0 (11.2)	3.0 (11.2)
Axle oil (front)	gal (ltr)	1.2 (4.4)	1.2 (4.4)
Axle oil (rear)	gal (ltr)	1.6 (6.05)	1.6 (6.05)

STANDARD EQUIPMENT		
	407	409
GENERAL MACHINE FEATURES	Parallel lift geometry, SSL quick hitch, articulated steering, front and rear fenders, one piece opening bonnet, recovery hitch, lifting lugs, temperature controlled engine cooling fan.	
TRANSMISSION	Two-speed, neutral start, inching function, forward/reverse switch on joystick control lever.	
BRAKES	In board oil immersed brakes with combined handbrake; cable operated parkbrake.	In board oil immersed brakes with combined handbrake; spring actuated hydraulic released parkbrake.
ELECTRIC	Full road lighting, direction indicators and battery isolator.	
HYDRAULICS	Single lever servo control, gear pump with priority steer, emergency steer back up, flow sharing (409 only).	
CAB	ROPS/FOPS safety structure, fully adjustable seat, interior light, adjustable tilt steering column, safety glass, LCD display, front and rear screen wash/wipe, 3-speed heater fan with replaceable filters, radio aperture (high spec cab only), sun visor.	

OPTIONAL EQUIPMENT	
407/409	
GENERAL MACHINE FEATURES	4th Spool aux. circuit, LSD axles, LiveLink, under engine hood battery disconnect, worklights, aircon, constant flow, high flow plus 30 lpm / 7.9 US gpm, SRS, rear aux. hydraulics, creep speed, bucket level indicator, stowage box, fully opening RH window with locks. See dealer for full list.

NOISE AND VIBRATION					
		407	409	Uncertainty	Measurement conditions.
Noise at the operator station	LpA	78 dB	76 dB	+/- 1 dB	Determined in accordance with the test method defined in ISO 6396 and the dynamic test condition defined on 2000/14/EC.



ONE COMPANY, MORE THAN 300 MACHINES.

Wheel Loader 407/409

Max. engine power: 64 hp (48 kW) / 74 hp (54.5 kW) Max. operating weight: 11,486 lb (5,210 kg) / 13,296 lb (6,031 kg)

JCB North America

2000 Bamford Blvd., Pooler, Georgia, 31322 Tel: (912) 447-2000

Download the very latest information on this product range at jcb.com

JCB inc. All rights reserved. No part of this publication may be reproduced, stored in a retrieval system, or transmitted in any form or by any other means, electronic, mechanical, photocopying or otherwise, without prior permission from JCB inc. All references in this publication to operating weights, sizes, capacities and other performance measurements are provided for guidance only and may vary dependant upon the exact specification of machine. They should not therefore be relied upon in relation to suitability for a particular application. Guidance and advice should always be sought from your JCB Dealer. JCB reserves the right to change specifications without notice. Illustrations and specifications shown may include optional equipment and accessories. The JCB logo is a registered trademark of J C Bamford Excavators Ltd.

Your nearest JCB Dealer



**GLACIER
EQUIPMENT LTD.**
403-553-0903

9999/5810 Issue 4 01/18 DWUSA 4701

 /JCBNA
  /JCBNA
  /JCBNORTHAMERICA

