

SPECIFICATION



BACKHOE LOADER | 3CX, 4CX

Gross power: 74-109hp (55-81kW) Max dig depth: 21ft 4in Operating weight: 16,820-20,940lbs



THE WORLD'S FAVORITE

Experience the unmatched power of JCB's all-new Backhoe Loader. Engineered for construction, municipalities, agriculture, and beyond, the JCB 3CX and 4CX have been upgraded with a new gearbox, outer extending dipper stick, enhanced automation, and Command-Plus cab. These features deliver faster travel speeds, superior productivity, and exceptional operator comfort - ensuring your Backhoe works just as hard as you do.



ULTIMATE PRODUCTIVITY

Dig deeper, move more materials and get the job done quicker with the new outer box extending dipper Stick - a new configuration to our 3CX and 4CX.



BEST-IN-CLASS PERFORMANCE

We've created the fastest Backhoe Loader on the market with 6-speed autoshift, TorqueLock and new 20-inch tires for better roading and loading performance.

SUPERIOR COMFORT

Our new CommandPlus Cab provides superior operator comfort, automation and ease of use, whilst class-leading visibility from every angle enhances safety.



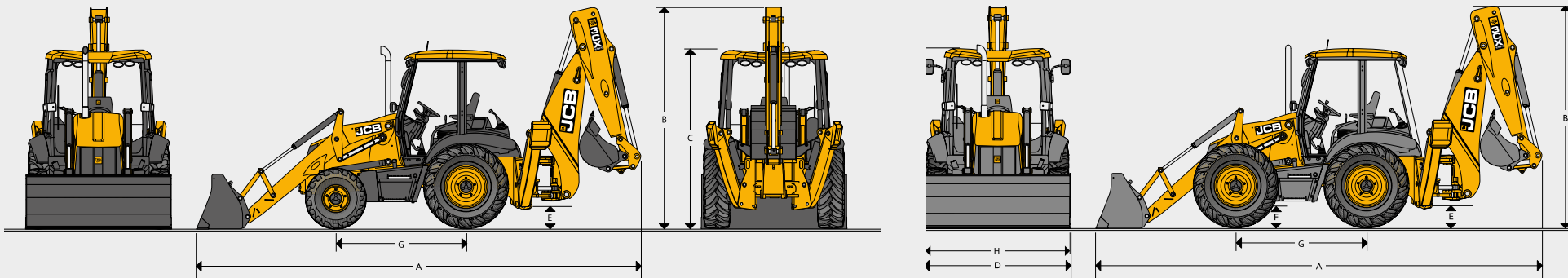
MAXIMUM UTILIZATION

One machine that's an excavator, loader, bulk material mover and more. Versatility at this level means fewer machines on site.

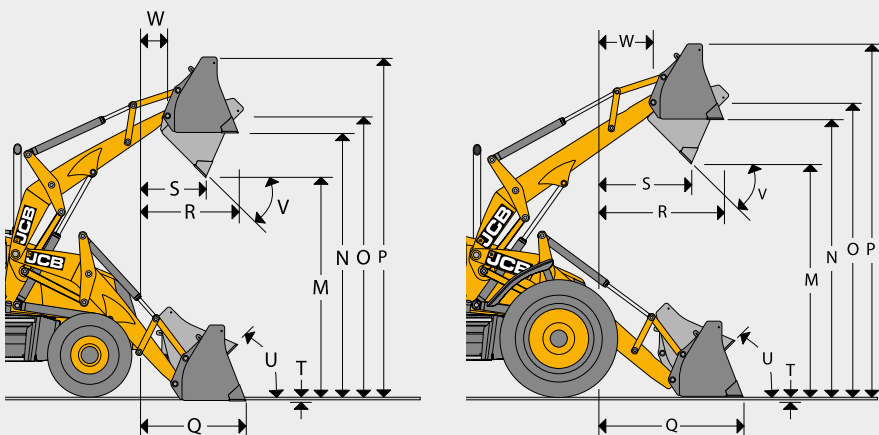
TOTAL PEACE OF MIND

As global experts, we've sold over 1 million Backhoe Loaders worldwide and are trusted by the US military to perform, even in the toughest conditions.

STATIC DIMENSIONS - CENTREMOUNT



		3CX-14, 3CX	3CX PLUS 14, 3CX PRO 14	3CX PLUS 15	4CX PRO 14	4CX PRO 15
		2WS / 4WD	2WS / 4WD	2WS / 4WD	AWS / 4WD	AWS / 4WD
A	Transport length	ft-in (m)	23-7 (7.19)	23-7 (7.19)	24-7 (7.49)	24-2 (7.37)
B	Transport height - fixed dipper	ft-in (m)	11-3 (3.43)	11-3 (3.43)	12-9 (3.89)	11-3 (3.43)
B	Transport height - inner extending dipper	ft-in (m)	11-7 (3.53)	11-7 (3.53)	12-10 (3.91)	11-7 (3.53)
B	Transport height - outer extending dipper	ft-in (m)	11-5 (3.50)	11-5 (3.50)	13 (3.97)	11-5 (3.50)
C	Height to top of cab/canopy	ft-in (m)	9-3 (2.81)	9-3 (2.81)	9-3 (2.87)	9-5 (2.87)
D	Overall width with bucket	ft-in (m)	7-9 (2.35)	7-9 (2.35)	7-9 (2.35)	7-9 (2.35)
E	Ground clearance - mainframe	ft-in (m)	1-1 (0.33)	1-1 (0.33)	1-1 (0.33)	1-1 (0.34)
F	Ground clearance - front axle	ft-in (m)	0-11 (0.28)	0-11 (0.28)	0-11 (0.28)	1-6 (0.45)
G	Wheelbase	ft-in (m)	7-1 (2.17)	7-1 (2.17)	7-1 (2.17)	7-3 (2.22)
H	Rear frame width	ft-in (m)	7-8 (2.33)	7-8 (2.33)	7-8 (2.33)	7-8 (2.33)



LOADER DIMENSIONS - CENTREMOUNT AND SIDESHIFT

			3CX-14, 3CX, 3CX PLUS 14, 3CX PLUS 15, 3CX PRO 14	4CX PRO 14, 4CX PRO 15
M	Dump height	ft-in (m)	9-0 (2.74)	8-10 (2.69)
N	Load over height	ft-in (m)	10-7 (3.23)	10-6 (3.21)
O	Loader hinge pin height	ft-in (m)	11-4 (3.45)	11-4 (3.46)
P	Max. operating height	ft-in (m)	13-7 (4.14)	13-4 (4.06)
Q	Reach at ground level	ft-in (m)	4-8 (1.42)	4-8 (1.42)
R	Max. reach at full height	ft-in (m)	3-11 (1.20)	4-0 (1.21)
S	Dump reach at full height	ft-in (m)	2-9 (0.83)	2-8 (0.82)
U	Roll back at ground	ft-in (m)	45	45
T	Dig depth	ft-in (m)	0-3 (0.07)	0-6 (0.14)
V	Dump angle	ft-in (m)	45	45
W	Pin forward reach	ft-in (m)	1-2 (0.36)	1-4 (0.41)

LOADER PERFORMANCE

Model		3CX-14, 3CX		3CX PLUS 14, 3CX PLUS 15		3CX PRO		4CX PRO 14, 4CX PRO 15	
Bucket type		GP shovel	6-in-I shovel	GP shovel	6-in-I shovel	GP shovel	6-in-I shovel	GP shovel	6-in-I shovel
Bucket breakout force	lbf (kgf)	13,603 (6,170)	14,398 (6,531)	13,603 (6,170)	14,398 (6,531)	13,728 (6,227)	14,528 (6,590)	13,728 (6,227)	14,528 (6,590)
Lift capacity @ full height	lb (kg)	7,670 (3,479)	7,119 (3,229)	9,233 (4,188)	8,649 (3,923)	10,225 (4,638)	9,652 (4,378)	10,225 (4,638)	9,652 (4,378)
Bucket clamp force	lbf (kgf)	-	6,488 (2,943)	-	6,488 (2,943)	-	6,488 (2,943)	-	6,488 (2,943)

OPERATING WEIGHTS

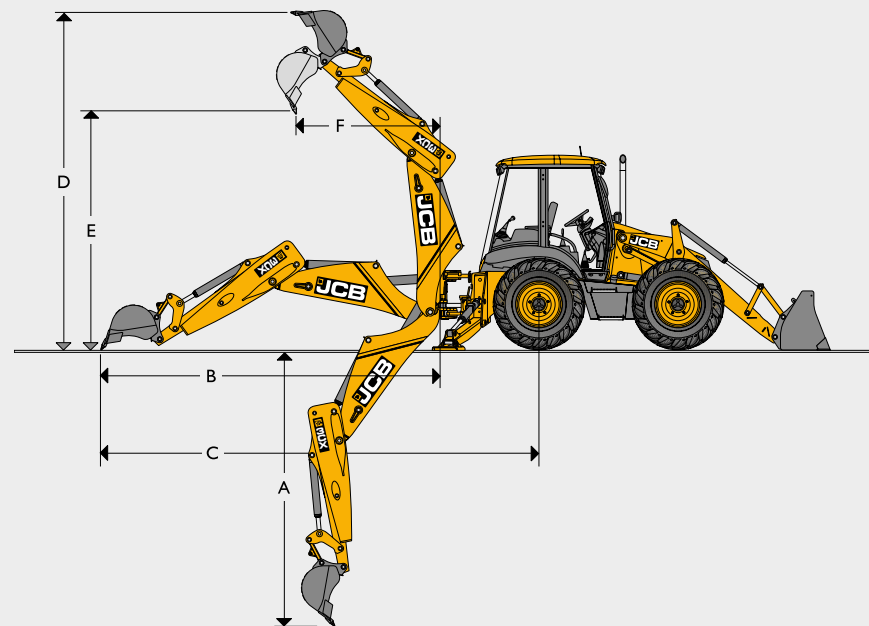
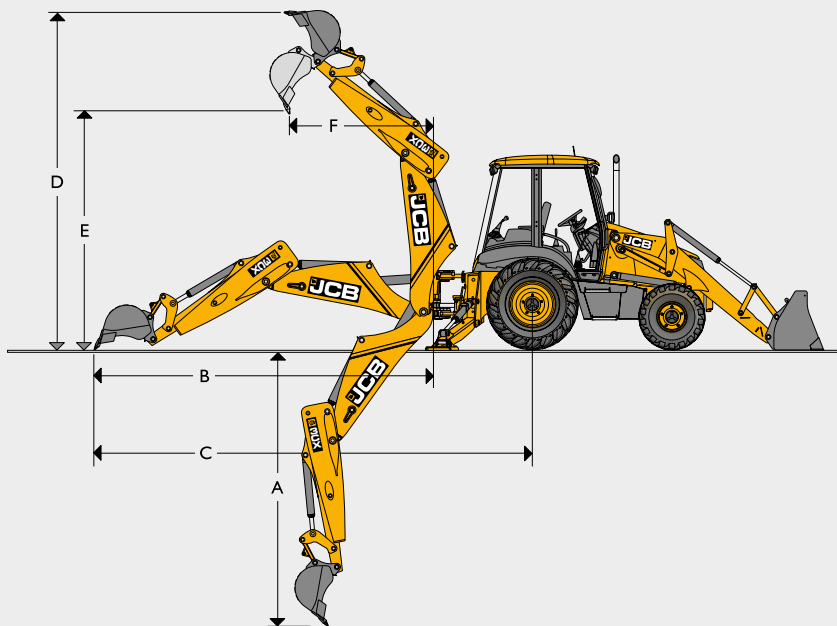
Model		3CX-14, 3CX		3CX PLUS 14, 3CX PRO 14		3CX PLUS 15		4CX PRO 14, 4CX PRO 15	
Drive		2WS / 4WD		2WS / 4WD		2WS / 4WD		AWS / 4WD	
Base unit	lb (kg)	16,191 (7,344)		17,101 (7,757)		18,459 (8,373)		17,659 (8,010)	
Additional weight for cab	lb (kg)	631 (286)		631 (286)		631 (286)		631 (286)	
Additional weight for extradig (inner box dipper)	lb (kg)	882 (400)		882 (400)		-		882 (400)	
Additional weight for thumb with extradig (inner box dipper)	lb (kg)	1,204 (546)		1,204 (546)		1,204 (546)		1,204 (546)	
Additional weight for extradig (outer box dipper)	lb (kg)	926 (420)		926 (420)		-		926 (420)	
Additional weight for thumb with extradig (outer box dipper)	lb (kg)	1,213 (550)		1,213 (550)		1,213 (550)		1,213 (550)	

Operating weight to ISO6016 includes machine with canopy, fixed dipper, 6-in-I shovel, 24" bucket, 750 lb / 562 lb counterweight, full fuel tank and operator.

LOADER ATTACHMENTS – Direct Mount

		6 in I
Forks - tine length	ft-in (m)	3-7 (1.10)
Forks - tine width	ft-in (m)	0-3 (0.08)
Forks reach at ground level	ft-in (m)	8-10 (2.68)
Forks reach at full height	ft-in (m)	7-7 (2.30)
Forks lift height - max	ft-in (m)	9-6 (2.90)
Fork Spacing - min.	ft-in (m)	0-8 (0.20)
Fork Spacing - max.	ft-in (m)	7-1 (2.17)

BACKHOE DIMENSIONS - CENTREMOUNT



Model		3CX-14, 3CX, 3CX PLUS 14, 3CX PRO 14, 4CX PRO 14					3CX PLUS 15, 4CX PRO 15				
		Fixed Dipper	Inner Box Retracted	Inner Box Extended	Outer Box Retracted	Outer Box Extended	Inner Box Retracted	Inner Box Extended	Outer Box Retracted	Outer Box Extended	
A	SAE max. dig depth	ft-in (m)	14-7 (4.45)	14-7 (4.45)	18-6 (5.63)	14-5 (4.42)	18-0 (5.49)	16-3 (4.95)	20-1 (6.12)	16-2 (4.94)	20-0 (6.08)
	SAE 2' flat bottom	ft-in (m)	14-5 (4.39)	14-5 (4.39)	18-4 (5.59)	14-4(4.38)	18-0 (5.48)	16-1 (4.90)	20-0 (6.10)	16-0 (4.88)	19-8 (6.03)
B	Reach from swing pivot	ft-in (m)	17-10 (5.44)	17-10 (5.44)	21-6 (6.55)	17-9 (5.46)	21-3 (6.50)	19-5 (5.92)	23-0 (7.01)	19-4 (5.92)	23-0 (7.01)
C	Reach from rear axle centerline	ft-in (m)	21-9 (6.63)	21-9 (6.63)	25-6 (7.77)	21-9 (6.66)	25-3 (7.70)	23-4 (7.11)	26-11 (8.20)	23-4 (7.12)	27-0 (8.21)
D	Max. operating height	ft-in (m)	17-8 (5.38)	17-8 (5.38)	20-6 (6.25)	17-9 (5.46)	20-5 (6.26)	18-8 (5.69)	21-0 (6.40)	18-9 (5.77)	21-4 (6.51)
E	Loading height	ft-in (m)	11-2 (3.40)	11-2 (3.40)	14-0 (4.27)	11-6 (3.55)	14-3 (4.34)	13-0 (3.96)	15-3 (4.65)	13-3 (4.04)	15-1 (4.60)
F	Loading reach	ft-in (m)	5-6 (1.68)	5-8 (1.73)	9-1 (2.77)	5-0 (1.53)	7-7 (2.33)	6-6 (1.98)	10-2 (3.10)	6-0 (1.83)	9-1 (2.77)
	Swing arc	degrees	180	180	180	174	174	180	180	174	174
	Stabilizers - transport	ft-in (m)	7-6 (2.29)	7-6 (2.29)	7-6 (2.29)	7-1 (2.17)	7.13 (2.17)	7-5 (2.25)	7-5 (2.25)	7-1 (2.16)	7-1 (2.16)
	Stabilizers - operating	ft-in (m)	10-10 (3.30)	10-10 (3.30)	10-10 (3.30)	13-0 (3.96)	13-0 (3.96)	10-10 (3.30)	10-10 (3.30)	13-0 (3.96)	13-0 (3.96)
	Levelling angle	degrees	15	15	15	12	12	15	15	12	12
	Bucket rotation - max. power position	degrees	185	185	185	189	189	185	185	189	189
	Bucket rotation - max. rotation position	degrees	201	201	201	201	201	201	201	201	201

Inner box and outer box dippers available on centremount machines.

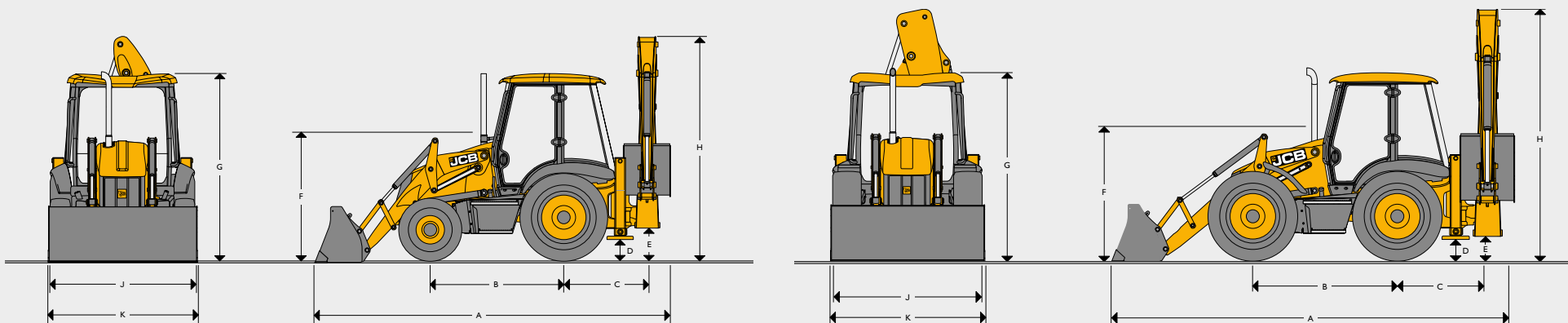
BACKHOE PERFORMANCE

Model		3CX-14, 3CX	3CX PLUS 14, 3CX PRO 14, 4CX PRO 14	3CX PLUS 15, 4CX PRO 15
Breakout force	lbf (kgf)	13,730 (6,228)	13,730 (6,228)	13,730 (6,228)
Dipper tearout	lbf (kgf)	7,110(3,225)	8,605 (3,903)	8,605 (3,903)
Lift capacity of bucket pivot @ full reach with dipper retracted	lbf (kgf)	3,199 (1,451)	4,156 (1,885)	4,156 (1,885)

BACKHOE LIFT CAPACITIES

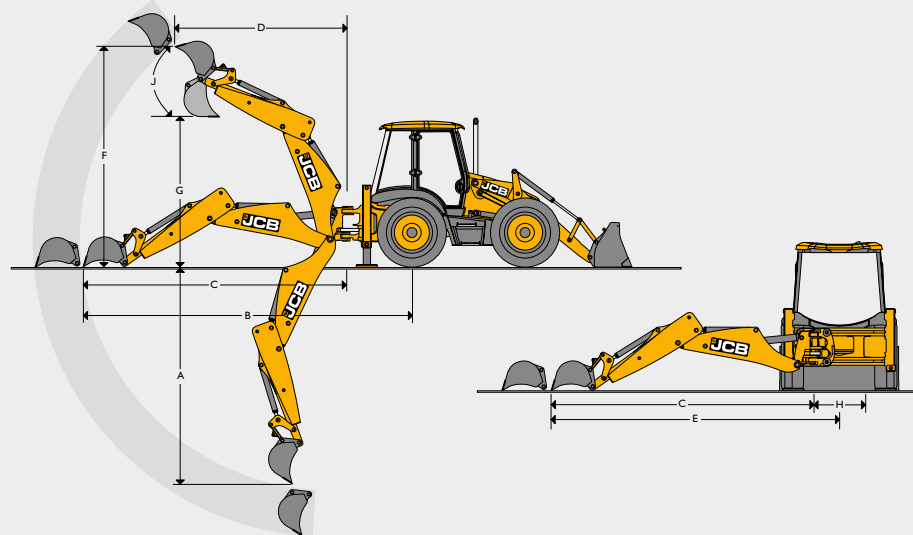
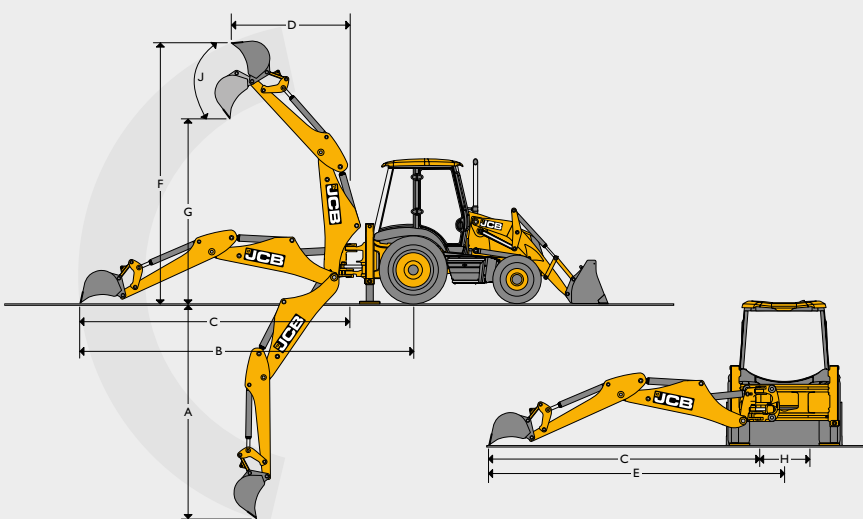
Model	3CX-14, 3CX, 3CX PLUS 14, 3CX PRO 14, 4CX PRO 14				3CX PLUS 15, 4CX PRO 15				
	Inner Box Retracted	Inner Box Extended	Outer Box Retracted	Outer Box Extended	Inner Box Retracted	Inner Box Extended	Outer Box Retracted	Outer Box Extended	
Boom lift capacity - SAE J31									
+18	lb					2436 lbs		2577 lbs	
+16	lb		2512 lbs		2609 lbs	3123 lbs		3195 lbs	
+14	lb	4139 lbs	2342 lbs	4029 lbs	2745 lbs	4891 lbs	3298 lbs	4823 lbs	3450 lbs
+12	lb	4307 lbs	2146 lbs	4211 lbs	2507 lbs	5061 lbs	3142 lbs	4992 lbs	3561 lbs
+10	lb	3933 lbs	2039 lbs	4132 lbs	2376 lbs	5039 lbs	3064 lbs	4971 lbs	3478 lbs
+8	lb	3768 lbs	1989 lbs	3994 lbs	2313 lbs	4950 lbs	3045 lbs	4882 lbs	3451 lbs
+6	lb	3736 lbs	1983 lbs	3843 lbs	2302 lbs	4836 lbs	3075 lbs	4767 lbs	3479 lbs
+4	lb	3756 lbs	2015 lbs	3695 lbs	2336 lbs	4714 lbs	3152 lbs	4646 lbs	3555 lbs
+2	lb	3611 lbs	2088 lbs	3556 lbs	2416 lbs	4595 lbs	3280 lbs	4528 lbs	3521 lbs
Ground level	lb	3479 lbs	2205 lbs	3429 lbs	2549 lbs	4484 lbs	3468 lbs	4418 lbs	3487 lbs
-2	lb	3361 lbs	2381 lbs	3315 lbs	2604 lbs	4386 lbs	3548 lbs	4319 lbs	3457 lbs
-4	lb	3259 lbs	2610 lbs	3217 lbs	2565 lbs	4304 lbs	3534 lbs	4239 lbs	3435 lbs
-6	lb	3179 lbs	2591 lbs	3142 lbs	2538 lbs	4247 lbs	3534 lbs	4183 lbs	3426 lbs
-8	lb	3138 lbs	2591 lbs	3108 lbs	2530 lbs	4234 lbs	3555 lbs	4170 lbs	3437 lbs
-10	lb	3224 lbs	2626 lbs	3199 lbs	2556 lbs	4316 lbs	3612 lbs	4253 lbs	3483 lbs
-12	lb		2744 lbs		2664 lbs	4813 lbs	3741 lbs	4745 lbs	3595 lbs
-14	lb		3212 lbs		3150 lbs		4059 lbs		3879 lbs
-16	lb						8460 lbs		5197 lbs
-18	lb	-	-			-	-		
Dipper lift capacity - SAE J31									
+18	lb								-
+16	lb								
+14	lb		2228 lbs		2234 lbs	5693 lbs	3648 lbs	5630 lbs	3739 lbs
+12	lb	4819 lbs	2982 lbs	4461 lbs	3034 lbs	6504 lbs	4004 lbs	6431 lbs	4054 lbs
+10	lb	5608 lbs	3494 lbs	5562 lbs	3562 lbs	6402 lbs	4256 lbs	6327 lbs	4271 lbs
+8	lb	5644 lbs	3710 lbs	5585 lbs	3800 lbs	6701 lbs	4441 lbs	6625 lbs	4415 lbs
+6	lb	6173 lbs	3853 lbs	6074 lbs	3950 lbs	7633 lbs	4692 lbs	7553 lbs	4674 lbs
+4	lb		4182 lbs		4301 lbs	10808 lbs	5081 lbs	10696 lbs	5019 lbs
+2	lb		4866 lbs		5045 lbs		5773 lbs		5695 lbs
Ground level	lb	-	4,716			-	4,883		

STATIC DIMENSIONS - SIDESHIFT



		3CX PRO 14	4CX PRO 14	4CX PRO 15
Drive		2WS / 4WD	AWS / 4WD	AWS / 4WD
A	Transport length	18-5 (5.62)	19-5 (5.91)	19-5 (5.91)
B	Wheelbase	7-1 (2.17)	7-3 (2.22)	7-3 (2.22)
C	Slew center to rear axle centerline	4-6 (1.36)	4-6 (1.36)	4-6 (1.36)
D	Stabilizer feet clearance	1-3 (0.37)	1-1 (0.34)	1-1 (0.34)
E	Kingpost clearance	1-8 (0.52)	1-8 (0.50)	1-8 (0.50)
F	Steering wheel center height	6-4 (1.94)	6-2 (1.88)	6-2 (1.88)
G	Height to top of cab/canopy	9-11 (3.03)	9-11 (3.03)	9-11 (3.03)
H	Transport height - extending dipper	11-10 (3.61)	11-11 (3.62)	13-0 (3.97)
J	Rear frame width	7-9 (2.35)	7-9 (2.36)	7-9 (2.36)
K	Overall width with bucket	7-9 (2.35)	7-9 (2.35)	7-9 (2.35)

BACKHOE DIMENSIONS - SIDESHIFT



Model	3CX PRO		4CX PRO 14		4CX PRO 15		
	Extradig Retracted	Extradig Extended	Extradig Retracted	Extradig Extended	Extradig Retracted	Extradig Extended	
A SAE max. dig depth	ft-in (m)	13-11 (4.24)	17-11 (5.46)	14-2 (4.32)	18-2 (5.53)	16-4 (4.98)	20-2 (6.14)
SAE 2' flat bottom	ft-in (m)	13-10 (4.21)	17-10 (5.43)	14-1 (4.29)	18-1 (5.50)	16-2 (4.93)	20-1 (6.11)
Max. dig depth with deep profile bucket	ft-in (m)	15-7 (4.75)	19-7 (5.97)	15-4 (4.67)	19-3 (5.88)	17-7 (5.35)	21-4 (6.51)
B Reach from rear axle centerline	ft-in (m)	22-1 (6.72)	25-10 (7.87)	22-1 (6.74)	25-10 (7.88)	24-1 (7.35)	27-8 (8.44)
C Reach from swing pivot	ft-in (m)	17-7 (5.37)	21-5 (6.52)	17-9 (5.40)	21-5 (6.54)	19-9 (6.01)	23-4 (7.10)
D Reach @ full height to swing pivot	ft-in (m)	9-0 (2.74)	12-0 (3.66)	9-3 (2.82)	12-4 (3.75)	11-3 (3.43)	14-8 (4.47)
E Side reach to center line of machine	ft-in (m)	19-6 (5.94)	23-3 (7.09)	19-9 (6.02)	23-6 (7.16)	21-11 (6.69)	25-4 (7.71)
F Max. operating height	ft-in (m)	18-2 (5.53)	20-10 (6.35)	17-11 (5.45)	20-6 (6.26)	19-4 (5.89)	21-5 (6.52)
G Loading height	ft-in (m)	12-7 (3.84)	15-6 (4.72)	12-7 (3.84)	15-6 (4.73)	13-4 (4.06)	16-6 (5.03)
SAE loading height	ft-in (m)	11-2 (3.40)	14-2 (4.32)	11-1 (3.39)	14-1 (4.28)	11-9 (3.58)	14-11 (4.55)
H Total kingpost travel	ft-in (m)	3-10 (1.16)	3-10 (1.16)	3-10 (1.16)	3-10 (1.16)	3-10 (1.16)	3-10 (1.16)
J Bucket rotation - max. power position	degrees	185	185	185	185	185	185
Bucket rotation - max. rotation position	degrees	201	201	201	201	201	201
Swing arc	degrees	180	180	180	180	180	180

Only inner box dipper available on sideshift models.

ENGINE			
Model	3CX-14, 3CX		3CX PLUS 14, 3CX PLUS 15, 3CX PRO 14, 4CX PRO 14, 4CX PRO 15
Manufacturer	JCB		
Model	EcoMAX		
Emissions	Tier 4 Final / Stage IV		
DPF	No		
DEF	No		Yes
DOC	No		
Displacement	liters	4.4	
Aspiration	Turbocharged & Intercooler		
Cylinders	4		
Gross hp - SAE J11995 (ISO 14396)	hp (KW)	74 (55)	109 (81)
Net hp - SAE J11349	hp (KW)	71 (53)	101 (75)
Max torque @ rpm	lb-ft (N.m)	295 (400) @ 1,200	381 (516) @ 1,500
Valves per cylinder	4		
Air Cleaner	Integrated pre-cleaner, scavenged		

HYDRAULIC SYSTEM			
Model	3CX-14		3CX PLUS 14, 3CX PLUS 15, 3CX PRO 14, 4CX PRO 14, 4CX PRO 15
Pump output	-		44 (165)
Pump 1	15 (58)		-
Pump 2 & 3	19 (71)		-
Relief pressure	psi (bar)	3650 (251)	3655 (252)
Filter rating	micron	5/12	5/12

FRONT AXLE			
Model	3CX-14, 3CX, 3CX PLUS 14, 3CX PLUS 15, 3CX PRO 14		4CX PRO 14, 4CX PRO 15
Drive	4WD		
Manufacturer	JCB		
Type	MaxTrac torque proportioning		LSD with outboard planetary drive
Static load rating	lb (kg)	50,786 (23,036)	55,116 (25,000)
Dynamic load rating	lb (kg)	18,298 (8,300)	27,558 (12,500)
SAE J43 rating	lb (kg)	24,251 (11,000)	33,069 (15,000)
Oscillational angle	degrees	16	

REAR AXLE			
Model	3CX-14, 3CX, 3CX PLUS 14, 3CX PLUS 15, 3CX PRO 14		4CX PRO 14, 4CX PRO 15
Manufacturer	JCB		
Type	LSD with outboard planetary drive		
Static load rating	lb (kg)	55,116 (25,000)	55,116 (25,000)
Dynamic load rating	lb (kg)	27,558 (12,500)	27,558 (12,500)
SAE J43 rating	lb (kg)	24,251 (11,000)	24,251 (11,000)

STEERING			
Model	3CX-14, 3CX, 3CX PLUS 14, 3CX PLUS 15, 3CX PRO 14		4CX PRO 14, 4CX PRO 15
Steering type	2WS		AWS / Crab / 2WS
Type	Power Track Rod		
Steering turns lock to lock	2-3/4		
Curb turning diameter - unbraked	ft-in (m)	26-7 (8.1)	29-10 (9.1)
Loader clearance diameter - unbraked	ft-in (m)	34-1 (10.4)	35-1 (10.7)
Curb turning diameter - braked	ft-in (m)	22-8 (6.9)	26-3 (8.0)
Loader clearance diameter - braked	ft-in (m)	31-2 (9.5)	31-2 (9.5)
(Depending on tire size, ground conditions, etc)			

STEERING MODES		
Model	3CX-14, 3CX, 3CX PLUS 14, 3CX PLUS 15, 3CX PRO 14	4CX PRO 14, 4CX PRO 15
2WS	✓	✓
AWS	-	✓
Crab	-	✓

ELECTRICAL SYSTEM			
Model	3CX-14, 3CX		3CX PLUS 14, 3CX PLUS 15, 3CX PRO 14, 4CX PRO 14, 4CX PRO 15
System voltage	volts	12	12
Alternator output	amps	170	170
Battery capacity	Ah	110	120
Battery cold cranking amps	CCA	900	1,000

TRANSMISSION						
Model		3CX-14	3CX	3CX PLUS 14, 3CX PLUS 15	3CX PRO 14 (30 mph)	4CX PRO 14, 4CX PRO 15
Manufacturer		JCB	JCB	JCB	JCB	JCB
Type		Synchroshuttle	Autoshift	Autoshift	Autoshift	Autoshift
Gear selection		Manual	Autoshift	Autoshift	Autoshift	Autoshift
Shuttle Control - F/R		Power Shuttle	Power Shuttle / Joystick FNR	Power Shuttle / Joystick FNR	Power Shuttle / Joystick FNR	Power Shuttle / Joystick FNR
Gear F/R		4F/4R	6F/4R	6F/4R	6F/4R	6F/4R
Torque converter ratio		2.52:1	2.52:1	2.52:1	2.52:1	2.52:1
Torque lock		-	Standard	Standard	Standard	Standard
Gear 1*	mph (km/h)	3.6 (5.8)	3.2 (5.2)	3.2 (5.2)	3.2 (5.2)	3.2 (5.2)
Gear 2*	mph (km/h)	5.8 (9.4)	5.9 (9.5)	5.9 (9.5)	5.9 (9.5)	5.9 (9.5)
Gear 3*	mph (km/h)	12.7 (20.5)	8.4 (13.5)	8.4 (13.5)	8.4 (13.5)	8.4 (13.5)
Gear 4*	mph (km/h)	24.9 (40)	12.1 (19.4)	12.1 (19.4)	12.1 (19.4)	12.1 (19.4)
Gear 5*	mph (km/h)	-	21.7 (35)	21.7 (35)	21.7 (35)	21.7 (35)
Gear 6*	mph (km/h)	-	26.3 (43)	26.3 (43)	31.1 (50)	26.3 (43)

*Based on T4F engine

SERVICE CAPACITIES				
Model		3CX-14, 3CX	3CX PLUS 14, 3CX PLUS 15, 3CX PRO 14	4CX PRO 14, 4CX PRO 15
Cooling system	gal (l)		5.0 (19)	
Fuel tank	gal (l)		34 (130)	
Engine oil with filter	gal (l)		4.0 (15)	
Transmission with filter	gal (l)		4.2 (16)	
Front axle	gal (l)		4.2 (16)	
Rear axle	gal (l)		4.2 (16)	
Drive hubs	gal (l)		0.5 (2)	
Hydraulic system including tank	gal (l)	30.9 (117)	30.9 (117)	34.9 (132)

STANDARD FEATURES					
Model	3CX-14	3CX	3CX PLUS 14, 3CX PLUS 15	4CX PRO 14, 4CX PRO 15	3CX PRO 14 (30 mph)
Cab features	LiveLink	Command Plus Cab, Joystick FNR (AEC), Single Loader Lever + FNR (Manual Controls), 6-Speed Autoshift, LED Worklights, Bluetooth radio + handsfree phone, 7" display with help videos, LiveLink, Auto Boomlock (joysticks only), Auto Stabilizers Up (joysticks only), Auto Seat Select			
Automation	Auto check, auto idle, auto throttle	Autodrive, Auto 2WD, Auto SRS			
Loader	Parallel lift loader arms, loader bucket float	Parallel lift loader arms, loader bucket float, AutoSRS, Return to dig & Return to grade (6-in-1 shovel)			
Excavator	Standard lift	Standard lift cylinders	Heavy lift cylinders	Heavy lift cylinders	Standard lift cylinders
Drivetrain	74HP 74 hp (55 kW) EcoMAX T4F,	74hp (55kW) EcoMAX T4F, LSD rear axle, engine block heater	109 hp (81 kW) EcoMAX T4F, LSD rear axle, engine block heater		
Hydraulic system	Triple gear pump, 3650, psi (251 bar)	Variable flow pump, 44 gpm (165 lpm) flow, 3,655 psi (252 bar)			

OPTIONAL FEATURES	
Loader	Q-Fit toolcarrier with hydraulic quickhitch, Q-Fit mounted fork & frame option, loader pipework, selection of general and multi-purpose shovels, quick-coupler, forks, hose burst check valves, 6in l shovel
Excavator	Lifting points, hammer pipework, bi-directional pipework, hydraulic thumb, selection of buckets, quick coupler, twin bidirectional circuit, stabilizer street pads, flip over stabilizer feet
Operator's station	A/C, Auto preheat, heated windshield, keypad or key immobilizer, air suspension seat
Tires	Selection of front and rear traction and industrial tires
Hydraulic system	Hand-held tool circuit with hose reel





ONE COMPANY, OVER 300 MACHINES.

Your nearest JCB dealer

BACKHOE LOADER 3CX, 4CX

Gross power: 74-109hp (55-81kW) Max dig depth: 21ft 4in Operating weight: 16,820-20,940lbs

JCB North America

2000 Bamford Blvd., Pooler, Georgia, 31322 Tel: (912) 447-2000

Download the very latest information on this product range at: www.jcb.com

©2025 JCB inc. All rights reserved. No part of this publication may be reproduced, stored in a retrieval system, or transmitted in any form or by any other means, electronic, mechanical, photocopying or otherwise, without prior permission from JCB inc. All references in this publication to operating weights, sizes, capacities and other performance measurements are provided for guidance only and may vary dependant upon the exact specification of machine. They should not therefore be relied upon in relation to suitability for a particular application. Guidance and advice should always be sought from your JCB Dealer. JCB reserves the right to change specifications without notice. Illustrations and specifications shown may include optional equipment and accessories. The JCB logo is a registered trademark of J.C. Bamford Excavators Ltd.

