



ARTICULATED BOOM | A45E / A45EH

Platform height: 45ft (13.84m) Platform capacity: 660lbs (300kg) Platform reach: 24ft (7.4m)



HIGHER STANDARDS

The A45E is our first all-electric articulated boom and part of the JCB E-TECH range. It is more productive and efficient, with zero emissions, making it ideal for indoor and outdoor use. The A45EH is our hybrid model featuring the JCB Diesel by Kohler engine alongside rechargeable batteries, ideal for use in remote locations where power isn't always accessible.



HIGHER CAPACITY

Increased platform capacity alongside enhanced performance and reduced emissions, make the A45E and A45EH suitable for both indoor and outdoor use.



HIGHER LEVELS OF EFFICIENCY

Regenerative motors, function speed control, oscillating steering axle and joystick ergonomics make the A45E and A45EH our most efficient models to date.

HIGHER LEVELS OF MONITORING

On-screen diagnostics, JCB LiveLink, plus external mounted hose and harness routing, offer increased machine monitoring, maintenance and safety measures.



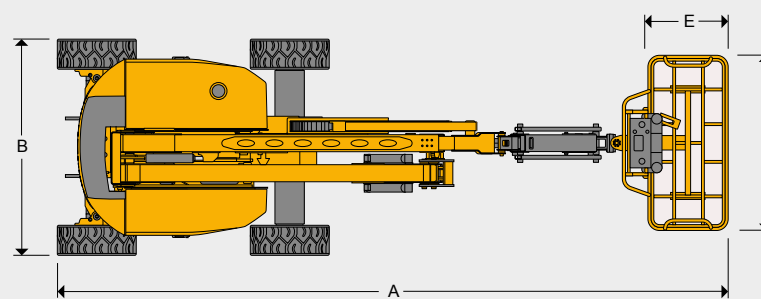
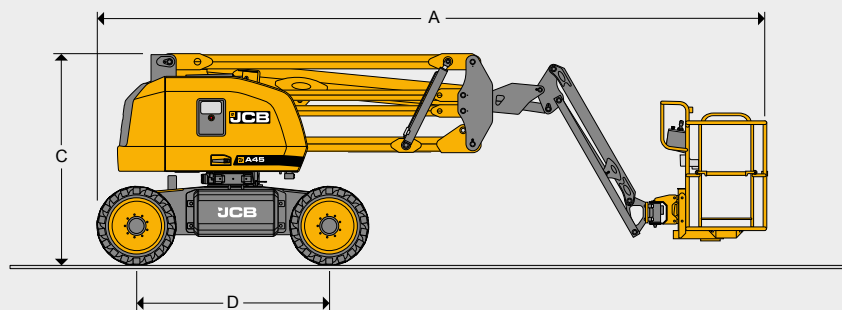
HIGHER STANDARDS OF SAFETY

We've made our articulated booms even safer with a secondary guarding system, puncture-proof tires, slew lock and emergency override system.

HIGHER QUALITY

Resilient paint protection, rigid canopy structure and design symmetry with existing JCB products, make both machines ideal for rental companies and contractors.

DIMENSIONS



DIMENSIONS

		A45E	A45EH
	Weight	lbs (kg)	17100 (7750) 17550 (7930)
A	Length (stowed)	ft-in (m)	23-1 (7.04)
B	Width (stowed)	ft-in (m)	7-5 (2.26)
C	Height (stowed)	ft-in (m)	7-4 (2.23)
D	Wheelbase	ft-in (m)	6-8 (2.03)
	Tail swing	in (m)	5 (0.12)
	Ground clearance	ft-in (m)	1-0 (0.31)

PLATFORM

		A45E	A45EH
E	Platform length	ft-in (m)	2-9 (0.84)
F	Platform width	ft-in (m)	6-0 (1.84)
	Platform height	ft-in (m)	4-1 (1.24)
	Entry type		Drop bar
	Entry number		3
	Occupancy		2
	Capacity	lbs (kg)	660 (300)
	Rotation	degrees	160
	Crush protection – electronic		Std

ELECTRICS

		A45E
Voltage	v	48
Battery make		VISION
Battery model		EVL16-400A-AM
Capacity	Ah	400
Tilt sensor setting	Degree	5

ENGINE

		A45EH
Make		Kohler
Type		Diesel 4 stroke, In line-3 cylinder
Model		KDW1003
Power	hp (kW)	20 (14.8)
Rated speed	rpm	3000
Turbo		-
Intercooler		-
Fuel tank capacity	US Gal (L)	10.6 (40)

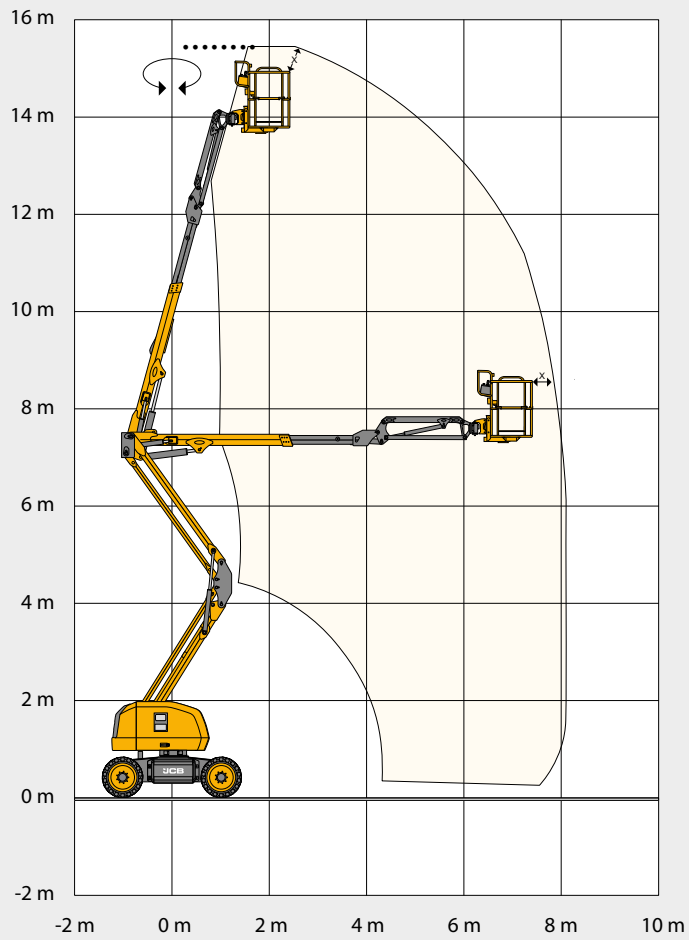
DRIVELINE

		A45E	A45EH
Drive			4WD
Max stowed speed	mph (km/h)		4.4 (7.0)
Max raised speed	mph (km/h)		0.5 (0.87)
Gradeability	%		40

TYRES

		A45E	A45EH
Type			Foam fill non-marking
Size			33x12D610

LIFT PERFORMANCE

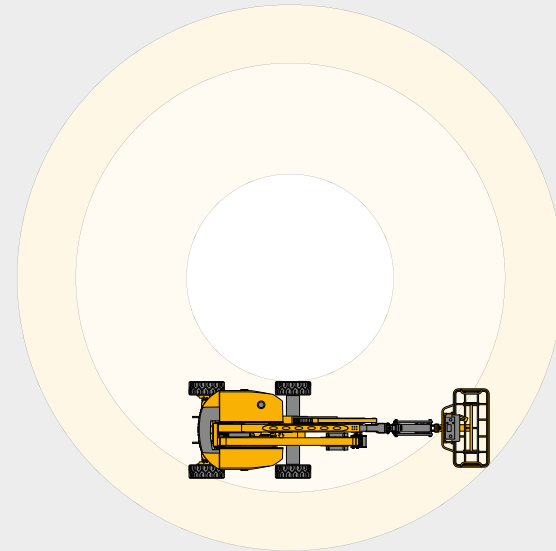


X = Working envelope

		A45E	A45EH
Platform height	ft-in (m)		45-5 (13.84)
Horizontal reach	ft-in (m)		24-6 (7.47)
Up and over clearance*	ft-in (m)		24-6 (7.48)
Rotation	degrees		355
Wind speed	mph (m/s)		28 (12.5)

* Up and over clearance is the max height that the basket can reach horizontally

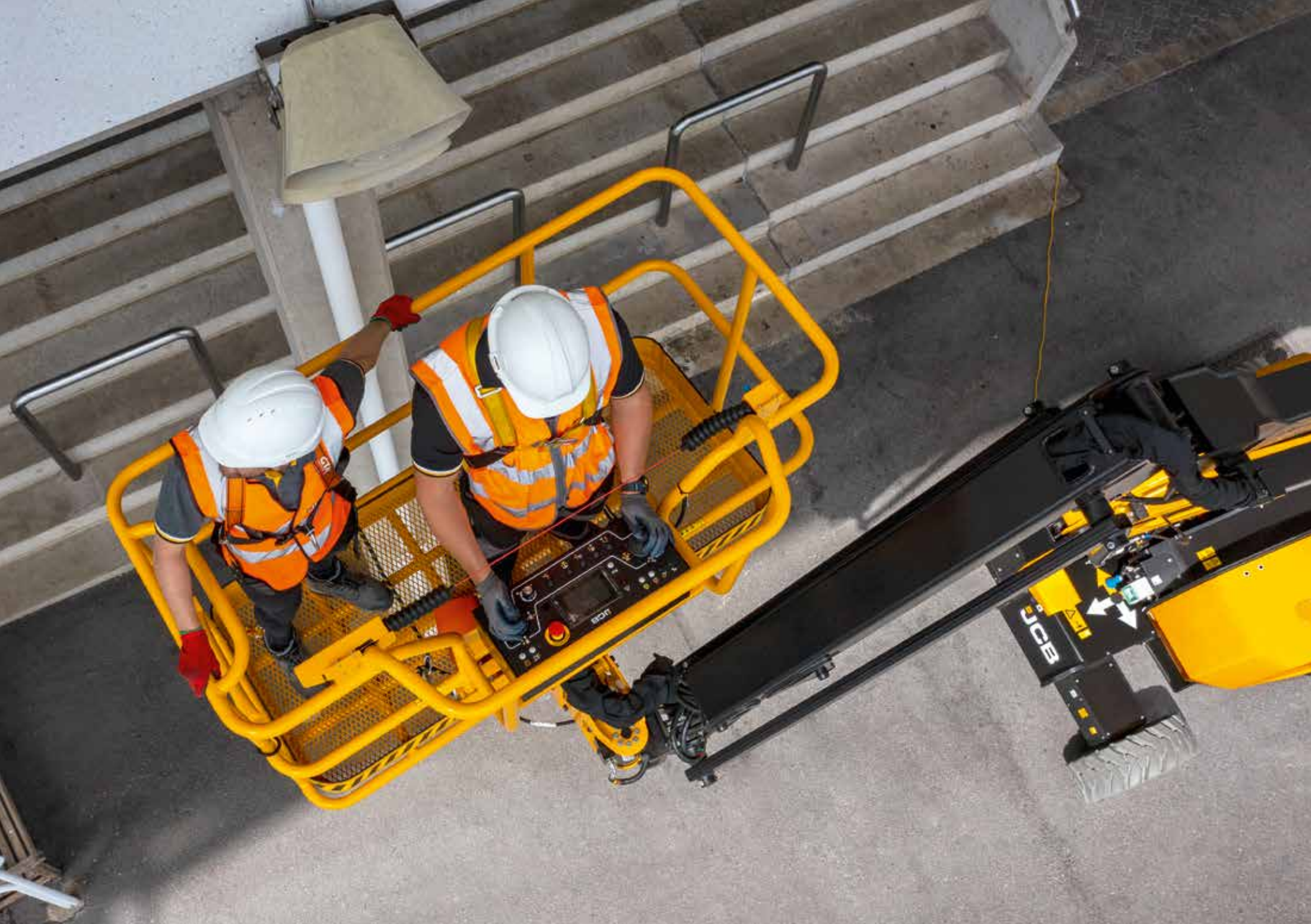
TURNING CIRCLE



		A45E	A45EH
Type			2WS
Turning radius (inside)	ft-in (m)		8-8 (2.65)
Turning radius (outside)	ft-in (m)		15-4 (4.67)
Max circle in folded position	ft-in (m)		19-7 (5.96)

LIVELINK

	A45E	A45EH
LiveLink		Std



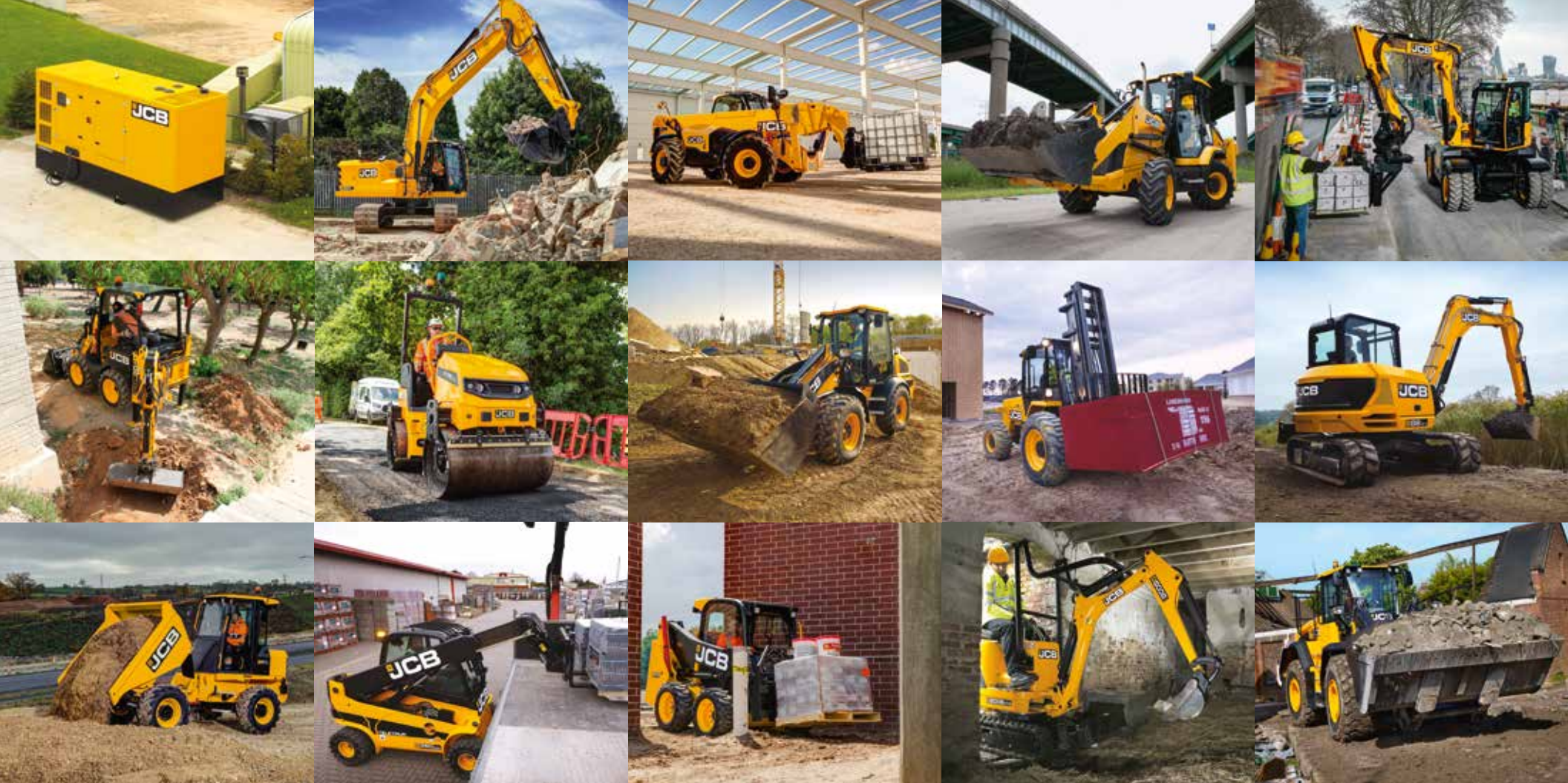
ARTICULATED BOOM A45E / A45EH



ARTICULATED BOOM A45E / A45EH



ARTICULATED BOOM A45E / A45EH



ONE COMPANY, OVER 300 MACHINES.

Your nearest JCB dealer

ARTICULATED BOOM A45E / A45EH

Platform height: 45ft (13.84m) Platform capacity: 660lbs (300kg) Platform reach: 24ft (7.4m)

JCB North American – Headquarters

Savannah. 2000 Bamford Blvd., Savannah, Georgia, 31322 Tel: (912) 447-2000

Download the very latest information on this product range at www.jcb.com

JCB inc. All rights reserved. No part of this publication may be reproduced, stored in a retrieval system, or transmitted in any form or by any other means, electronic, mechanical, photocopying or otherwise, without prior permission from JCB inc. All references in this publication to operating weights, sizes, capacities and other performance measurements are provided for guidance only and may vary dependant upon the exact specification of machine. They should not therefore be relied upon in relation to suitability for a particular application. Guidance and advice should always be sought from your JCB Dealer. JCB reserves the right to change specifications without notice. Illustrations and specifications shown may include optional equipment and accessories. The JCB logo is a registered trademark of J C Bamford Excavators Ltd.

